

3Z | DMX INDOOR CONTROLLER



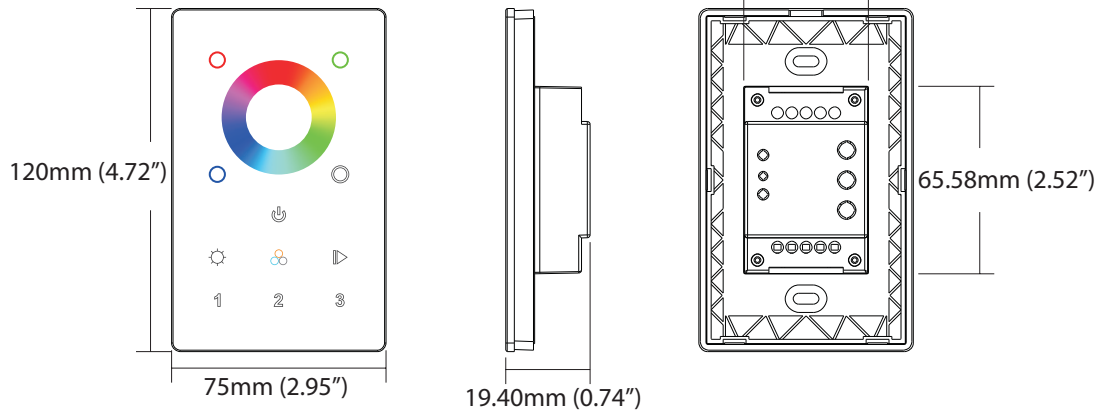
PROJECT: _____

DISTRIBUTOR: _____

CONTRACTOR: _____

TYPE _____

COMMENTS _____



FEATURES

- 3 ZONES
- EASY TO INSTALL WITH STANDARD US SIZE BOX
- TOUCH SENSITIVE COLOR WHEEL FOR SMOOTH COLOR SELECTION
- STANDARD DMX512 WALL MOUNTED CONTROLLER

PHYSICAL

DIMENSIONS	75mm (2.95") WIDTH * 120mm (4.72") HEIGHT
MATERIALS	GLASS INTERFACE
OPERATING TEMPERATURE	0 TO -40°F (40°C)
OUTPUT SIGNAL	DMX512
IP RATING	IP20
INPUT VOLTAGE	12-24VDC
POWER SUPPLY NEEDED TO POWER CONTROLLER	

ORDERING INFORMATION

PRODUCT	PROTOCOL	CONTROLLER	ZONE
ACE	DMX	CTRL	XX
ACE	DMX = DMX	CTRL = CONTROLLER	3Z = 3 ZONES

3Z | DMX INDOOR CONTROLLER



PERFORMANCE

WARRANTY

5 YEARS
