

1 | DMX INDOOR CONTROLLER



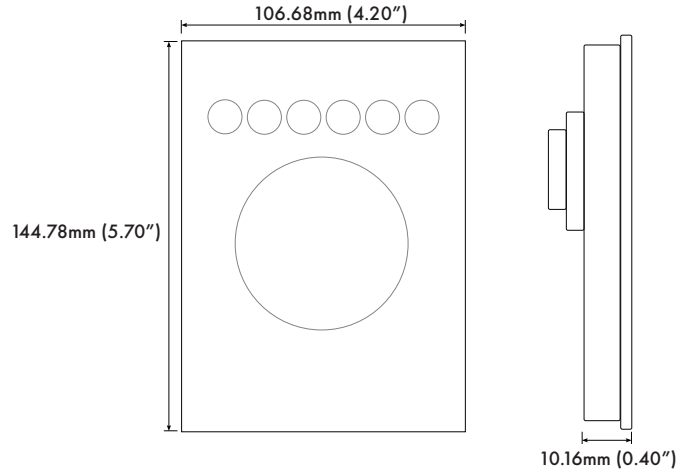
PROJECT: _____

DISTRIBUTOR: _____

CONTRACTOR: _____

TYPE _____

COMMENTS _____



FEATURES

- 1 ZONE (36 SCENES)
- TOUCH SENSITIVE COLOR WHEEL FOR SMOOTH COLOR SELECTION
- USB CONNECTIVITY FOR PROGRAMMING AND CONTROL
- IOS / ANDROID REMOTE APP CONTROL

PHYSICAL

DIMENSIONS	106.68mm (4.20") WIDTH * 144.78mm (5.70") HEIGHT
MATERIALS	GLASS INTERFACE
OPERATING TEMPERATURE	14°F (-10°C) TO -49°F (-45°C)
OUTPUT SIGNAL	DMX512
IP RATING	IP20
INPUT VOLTAGE	5-15VDC
POWER SUPPLY FOR CONTROLLER INCLUDED	

ORDERING INFORMATION

PRODUCT	PROTOCOL	CONTROLLER	ZONE
ACE	DMX	CTRL	XX
ACE	DMX = DMX	CTRL = CONTROLLER	1 = 1ZONE

1 | DMX INDOOR CONTROLLER

PERFORMANCE

WARRANTY

5 YEARS
