

PRO-702 | ALUMINUM PROFILE 702

PROFILE 702 IS A DRIVE OVER RATED RECESSED 4 FOOT PROFILE EQUIPPED WITH A DURABLE TEMPERED GLASS DIFFUSER DESIGNED TO BE INSTALLED INGRADE.

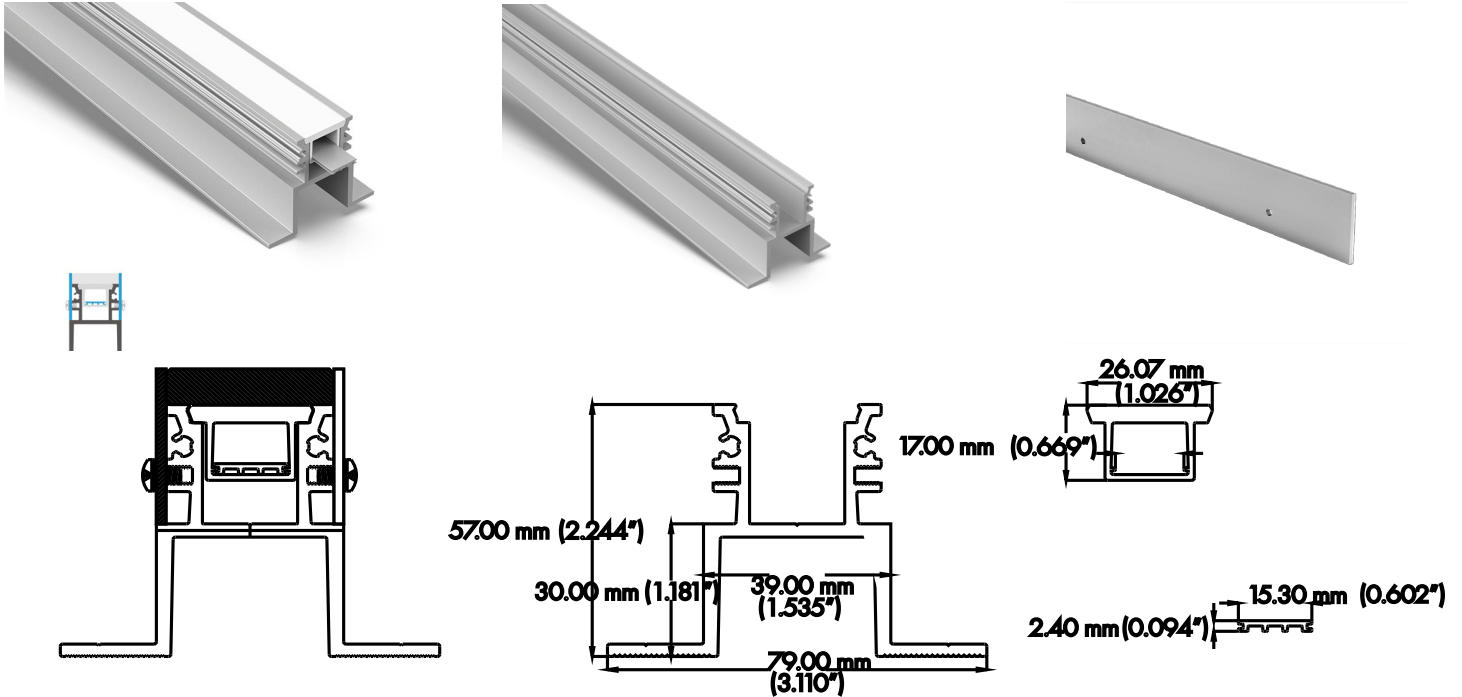
PROJECT: _____

DISTRIBUTOR: _____

CONTRACTOR: _____

TYPE: _____

COMMENTS: _____



CROSS SECTION

PHYSICAL

DIMENSIONS	3.11" (79MM) WIDTH * 2.55" (65MM) HEIGHT * 48" (1219.2MM) LENGTH
INTERNAL WIDTH	0.59" (15MM)
MATERIALS	6063 ALUMINUM
FINISH	ANODIZED SILVER
LENS & LIGHT LOSS FACTOR	WHITE=40%
LENS, END CAPS, AND MOUNTING CLIPS INCLUDED	

ORDERING INFORMATION

PRODUCT CODE	PRODUCT NUMBER	MOUNTING	LENS	FINISH	LENGTH
PRO	702	RC	WH	SV	4FT
PROFILE	702	RC = RECESSED	WH = WHITE	SV = SILVER CUSTOM RAL = RAL CODE	4FT