

PRO-602 | ALUMINUM PROFILE 602

PROFILE 602 IS A 4 FOOT MINI PROFILE DESIGNED TO BE INSTALLED AT THE EDGE OF A STAIR TO ILLUMINATE EACH STEP AND PROVIDES A SLIP RESISTANT SURFACE.

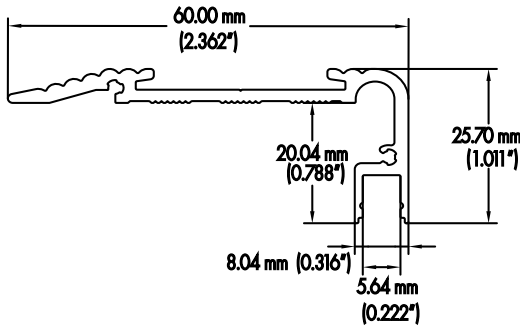
PROJECT: _____

DISTRIBUTOR: _____

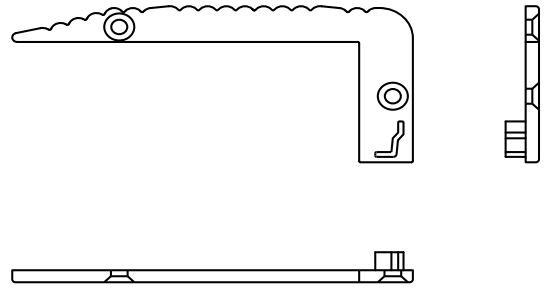
CONTRACTOR: _____

TYPE: _____

COMMENTS: _____



CROSS SECTION



END CAP

PHYSICAL

DIMENSIONS	2.362" (60MM) WIDTH * 1.011" (25.70MM) HEIGHT * 48" (1219.2MM) LENGTH
INTERNAL WIDTH	0.222" (5.64MM)
MATERIALS	6063 ALUMINUM
FINISH	ANODIZED SILVER
LENS & LIGHT LOSS FACTOR	WHITE=30%, FROSTED=19%, CLEAR=5%
LENS, END CAPS, AND MOUNTING CLIPS INCLUDED	

ORDERING INFORMATION

PRODUCT CODE	PRODUCT NUMBER	MOUNTING	LENS	FINISH	LENGTH
PRO	602	SF	WH	SV	4FT
PROFILE	602	SF = SURFACE	WH = WHITE	SV = SILVER CUSTOM RAL = RAL CODE	4FT