

# PRO-601 | ALUMINUM PROFILE 601

PROFILE 601 IS A 4 FOOT PROFILE DESIGNED TO BE INSTALLED AT THE EDGE OF A STAIR TO ILLUMINATE EACH STEP AND PROVIDES A SLIP RESISTANT SURFACE.

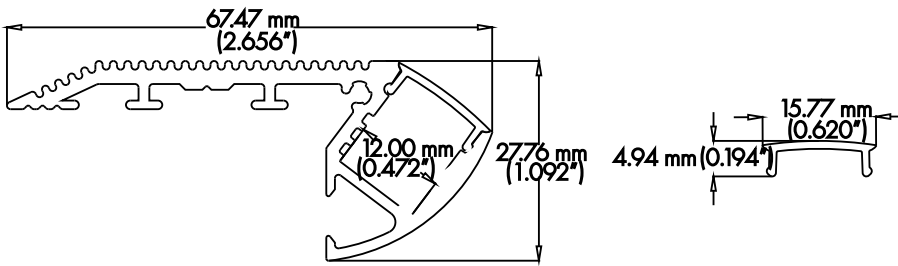
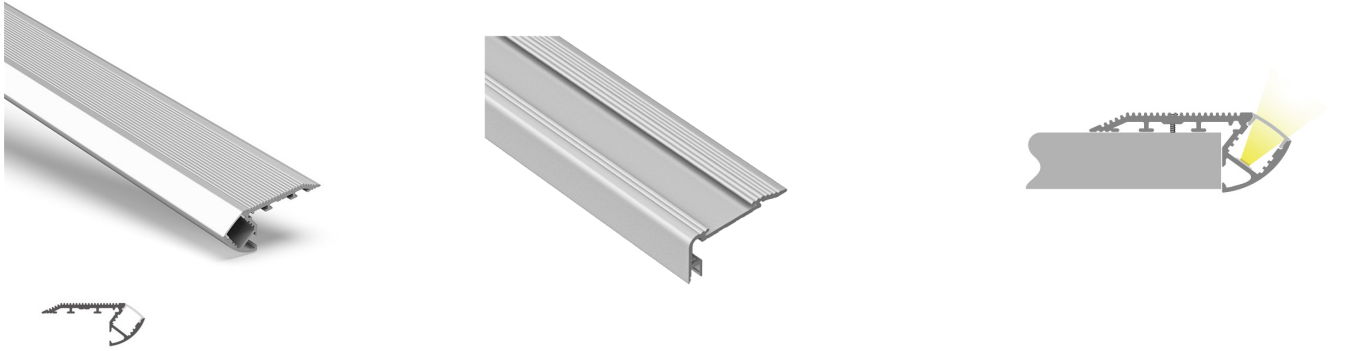
PROJECT: \_\_\_\_\_

DISTRIBUTOR: \_\_\_\_\_

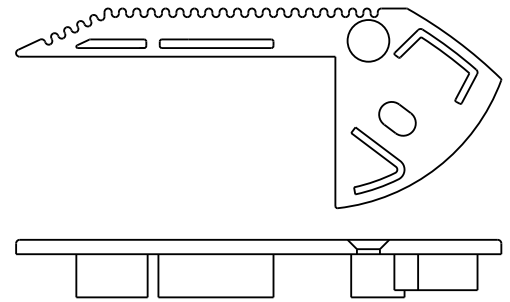
CONTRACTOR: \_\_\_\_\_

TYPE: \_\_\_\_\_

COMMENTS: \_\_\_\_\_



CROSS SECTION



END CAP

## PHYSICAL

DIMENSIONS	2.656" (67.47MM) WIDTH * 1.092" (27.76MM) HEIGHT * 48" (1219.2MM) LENGTH
INTERNAL WIDTH	0.472" (12MM)
MATERIALS	6063 ALUMINUM
FINISH	ANODIZED SILVER
LENS & LIGHT LOSS FACTOR	WHITE=30%, FROSTED=19%, CLEAR=5%
*LENS, END CAPS, AND MOUNTING CLIPS INCLUDED*	

## ORDERING INFORMATION

PRODUCT CODE	PRODUCT NUMBER	MOUNTING	LENS	FINISH	LENGTH
PRO	601	SF	WH	SV	4FT
PROFILE	601	SF = SURFACE	WH = WHITE	SV = SILVER CUSTOM RAL = RAL CODE	4FT