



PRO-504 | ALUMINUM PROFILE 504

PROFILE 504 IS A 4 FOOT KNIFE EDGE PROFILE DESIGNED TO PROVIDE INDIRECT ACCENT ILLUMINATION WHEN INSTALLED IN MUD-IN APPLICATIONS.

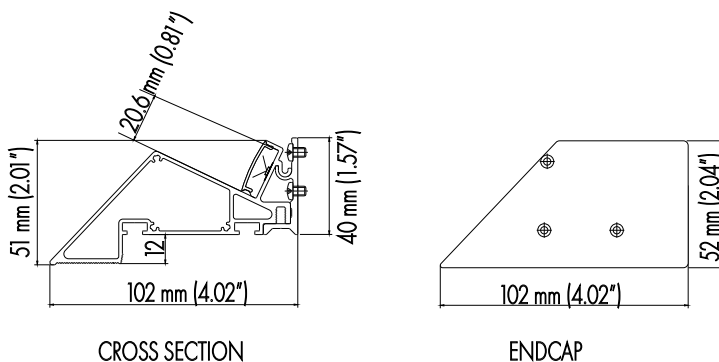
PROJECT: _____

DISTRIBUTOR: _____

CONTRACTOR: _____

TYPE _____

COMMENTS _____



PHYSICAL

DIMENSIONS	102.00mm (4.02") WIDTH *51.00mm (2.01") HEIGHT* 1219.20mm (48")
INTERNAL WIDTH	20.60mm (0.81")
MATERIALS	6063 ALUMINUM
BEAM ANGLE	90°
MOUNTING	RECESSED
FINISH	ANODIZED SILVER OR CONSULT FACTORY FOR CUSTOM RAL COLORS
TAPE COMPATIBILITY	K SERIES IP20 & IP67, J SERIES IP20 & IP67, C SERIES, G SERIES IP20 & IP67
LENS & LIGHT LOSS FACTOR	WHITE = 30%, CLEAR=5%
LENS AND PAIR OF END CAPS INCLUDED	

ORDERING INFORMATION

PRODUCT	PRODUCT NUMBER	MOUNTING	LENS	FINISH	LENGTH
PRO	504	RC	WH	SV	4FT
PROFILE	504	RC = RECESSED	WH = WHITE CL = CLEAR	SV = SILVER CUSTOM RAL = RAL CODE	4FT

ACCESSORIES (SOLD SEPARATELY)

AA-PRO-504-EC	PAIR OF END CAPS
AA-PRO-504-J-180	180° METAL JOINER
AA-PRO-504-J-120	120° METAL JOINER
AA-PRO-504-J-90V	90° VERTICAL METAL JOINER
AA-PRO-504-IC	90° INSIDE CORNER
AA-PRO-504-OC	90° OUTSIDE CORNER
AA-PRO-504-LENS-WH	4FT WHITE LENS
AA-PRO-504-CONLENS-WH	UP TO 80FT OF CONTINUOUS WHITE LENS
AA-PRO-504-LENS-CL	4FT CLEAR LENS
AA-PRO-504-CONLENS-CL	UP TO 80FT OF CONTINUOUS CLEAR LENS