

PRO-205 | ALUMINUM PROFILE 205

PROFILE 205 IS A RECESSED MOUNTED 4 FOOT PROFILE CREATED TO PROVIDE INDIRECT ACCENT ILLUMINATION WHEN INTEGRATED INTO WALLS AND CEILINGS.

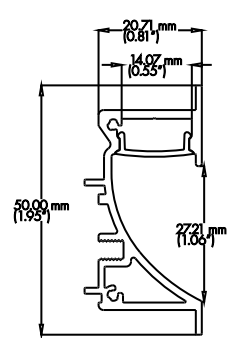
PROJECT: _____

DISTRIBUTOR: _____

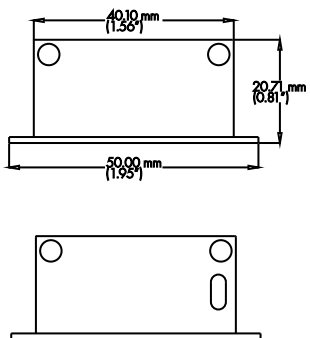
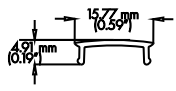
CONTRACTOR: _____

TYPE: _____

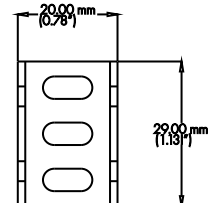
COMMENTS: _____



CROSS SECTION



END CAP



SPRING CLIP

PHYSICAL

DIMENSIONS	0.81" (20.71MM) WIDTH * 1.95" (50MM) HEIGHT * 48" (1219.2MM) LENGTH
INTERNAL WIDTH	0.55" (14.07MM)
MATERIALS	6063 ALUMINUM
FINISH	ANODIZED SILVER
LENS & LIGHT LOSS FACTOR	WHITE=30%, FROSTED=19%, CLEAR=5%

LENS, END CAPS, AND SPRING CLIPS INCLUDED

ORDERING INFORMATION

PRODUCT CODE	PRODUCT NUMBER	MOUNTING	LENS	FINISH	LENGTH
PRO	205	RC	WH	SV	4FT
PROFILE	205	RC = RECESSED	WH = WHITE	SV = SILVER CUSTOM RAL = RAL CODE	4FT