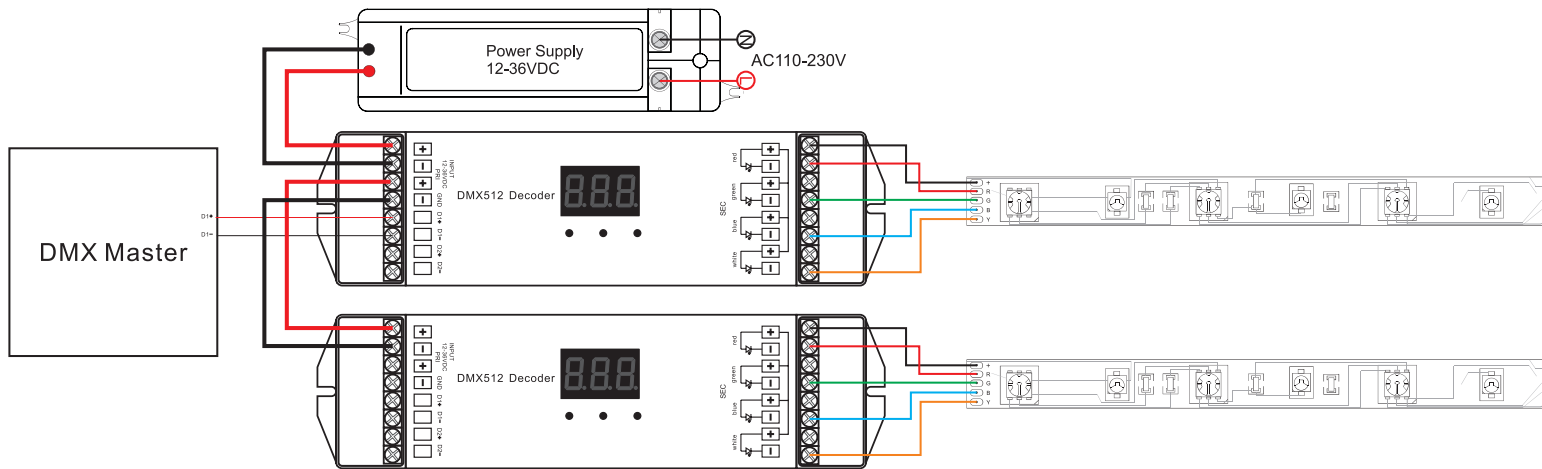
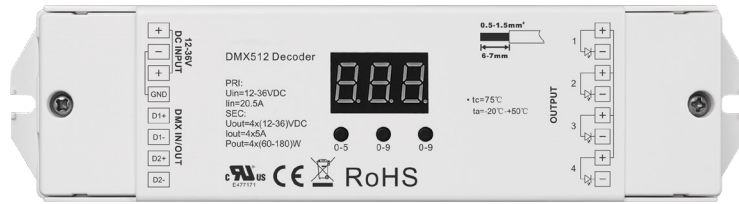


ACE-PWR-DMX | DMX DECODER



TECHNICAL INFORMATION

DIMENSIONS	1.81" (46MM) WIDTH * 0.87" (22MM) HEIGHT * 7.00" (178MM) LENGTH
INPUT VOLTAGE	120-347VAC
OUTPUT VOLTAGE	24v DC
OPERATING TEMPERATURE	-4°F (-20°C) ~ 122°F (50°C)
PROTOCOL	DMX/RDM
IP	IP20
WARRANTY	5 YEARS

ORDERING INFORMATION

PRODUCT CODE	DMX	CHANNEL	SR
ACE-PWR	DMX	4C	SR
ACE DMX DECODER	DMX = DMX	4C = 4 CHANNEL	SR = SR