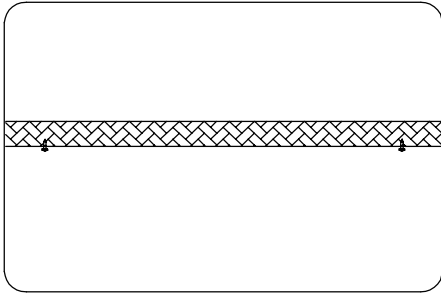
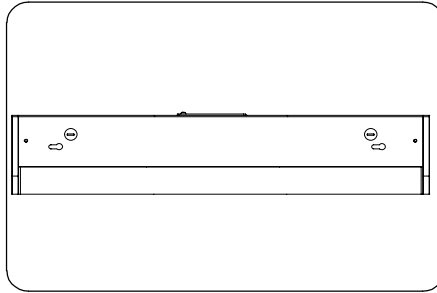


MOUNTING OPTIONS

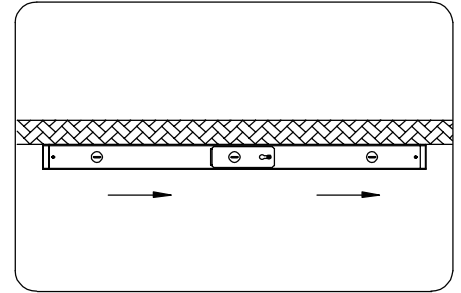
OPTION 1



- INSERT SCREW INTO SURFACE

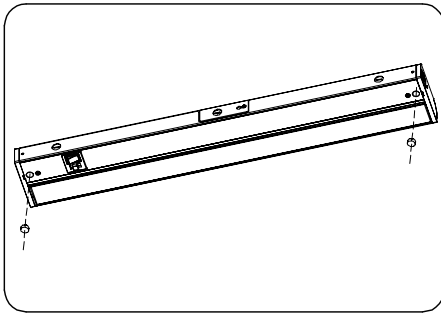


- ALIGN THE SCREWS TO THE SLOT IN THE BACK OF THE ULTRACAB

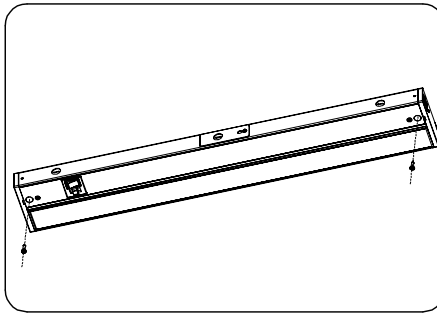


- SHIFT ULTRACAB TO LOCK IN PLACE

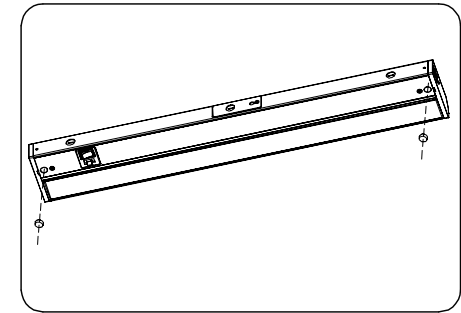
OPTION 2



- REMOVE SCREW HOLE CAPS



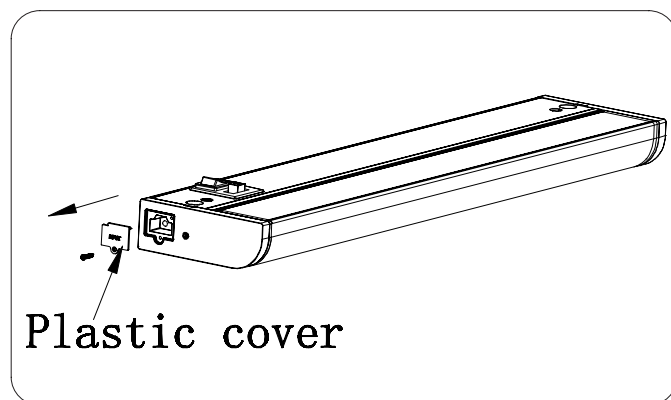
- INSERT SCREW INTO SCREW HOLE TO SECURE ULTRACAB



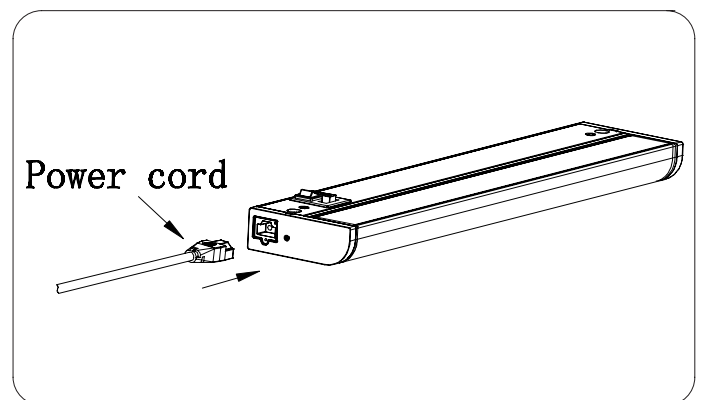
- REINSERT SCREW HOLE CAPS

PLUG-IN LEAD

- VERIFY POWER IS CUT BEFORE INSTALLATION
- ENSURE ULTRACAB IS INSTALLED WITHIN REACH OF LEADER CABLE



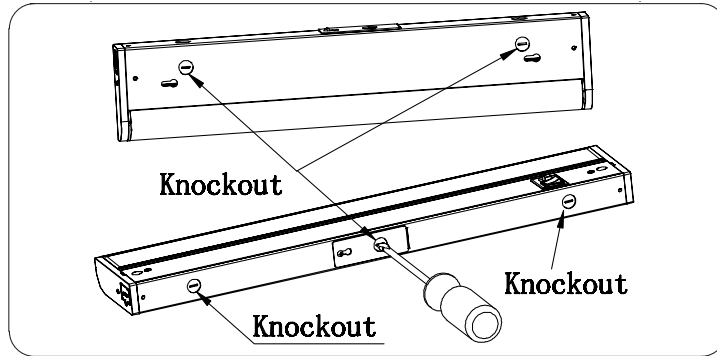
- REMOVE PLASTIC COVER



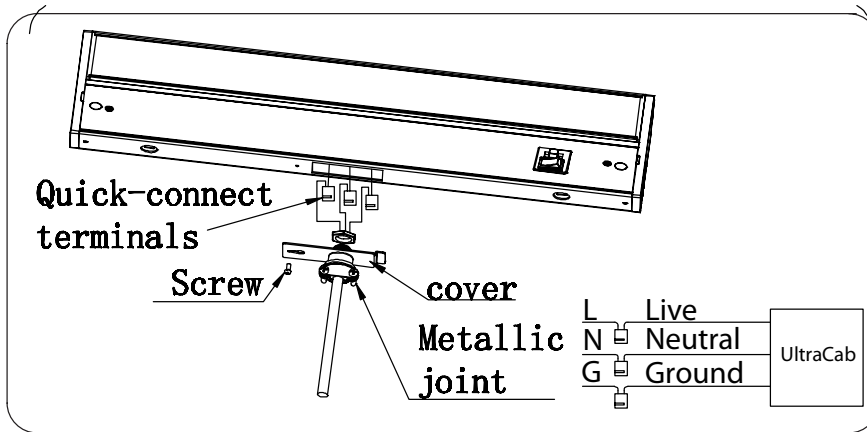
- INSERT LEAD INTO THE INPUT SOCKET. THE INPUT SOCKET IS LOCATED ON THE LEFT END OF THE FIXTURE



HARDWIRE INSTALL



OPTION 1



OPTION 2

