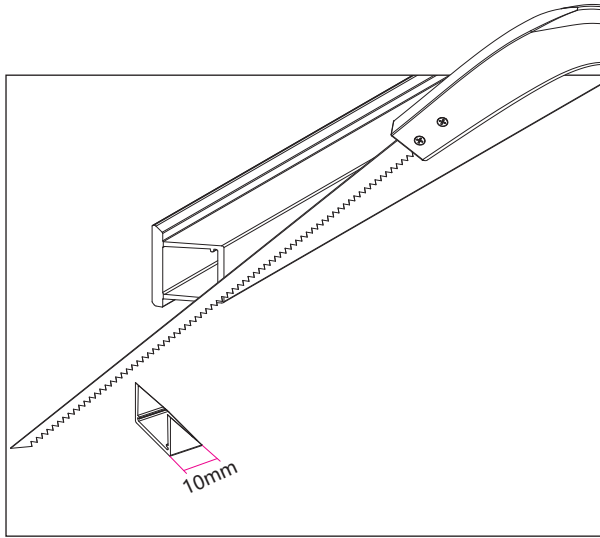
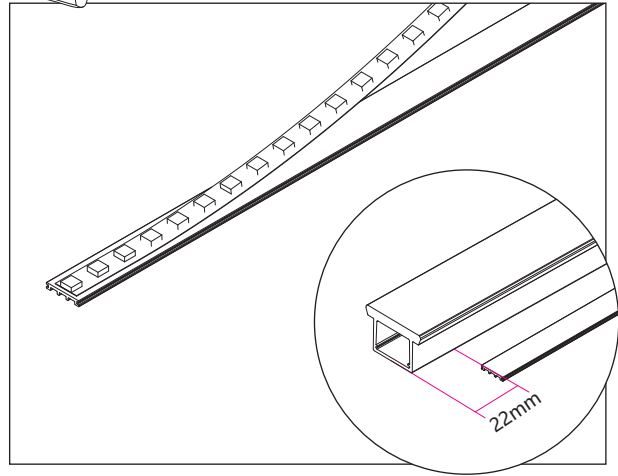


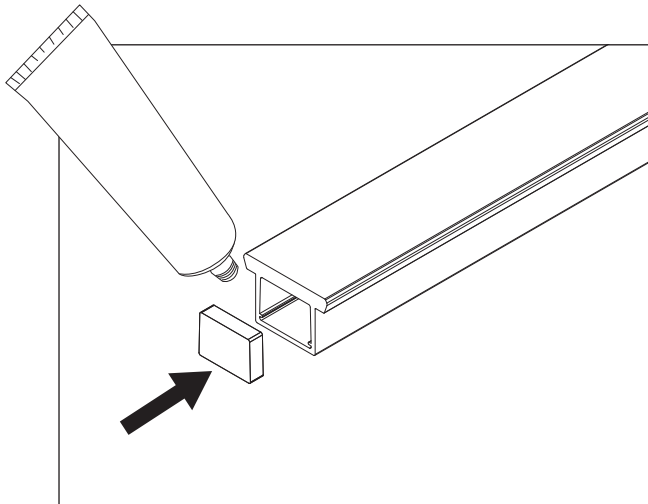
PRO-702 | ALUMINUM PROFILE 702 INSTALL



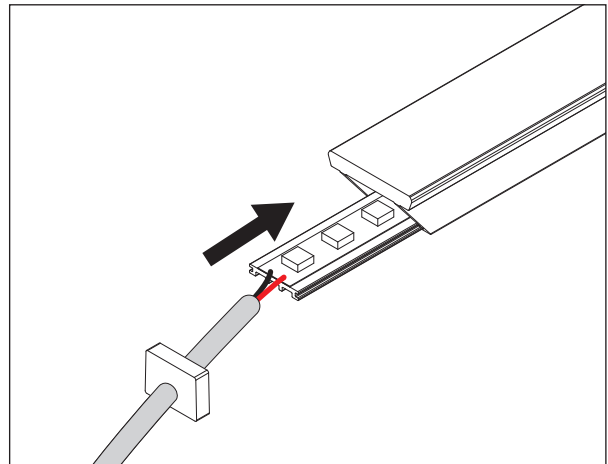
Cut diffuser at an angle to allow cable access from led strip



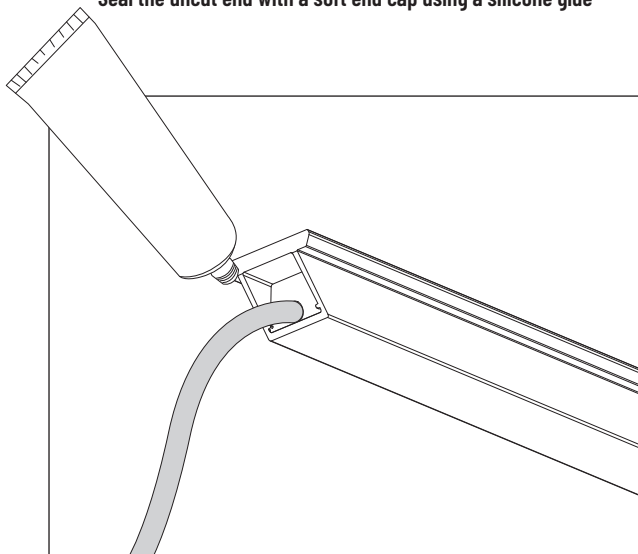
Assemble LED strip to base tray.
(Base tray needs a minimum of 22mm (0.87") for wire space.)



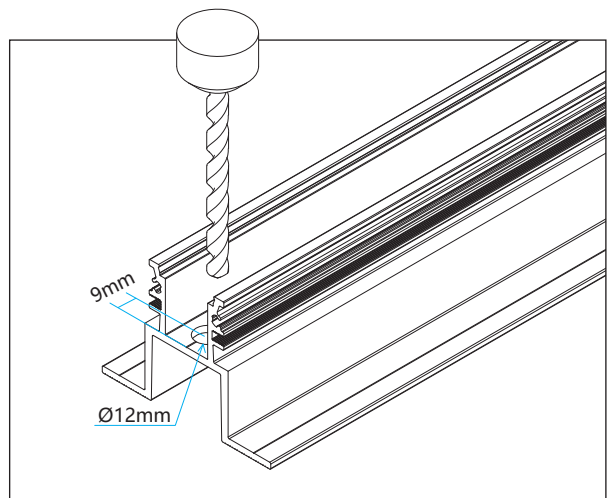
Seal the uncut end with a soft end cap using a silicone glue



Slide the base tray with the LED strips attached into the open end of the diffuser

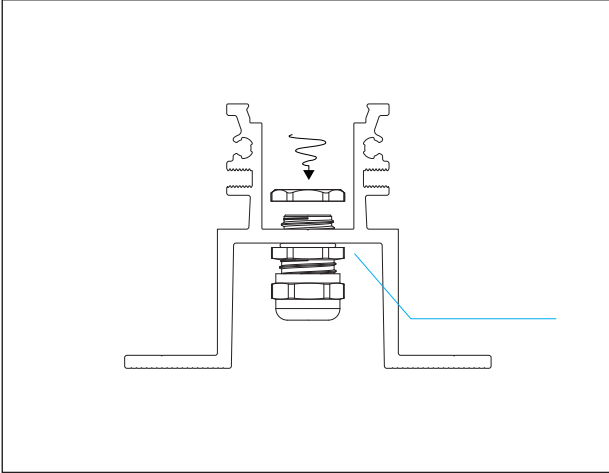


Put silicone glue to seal the open end.

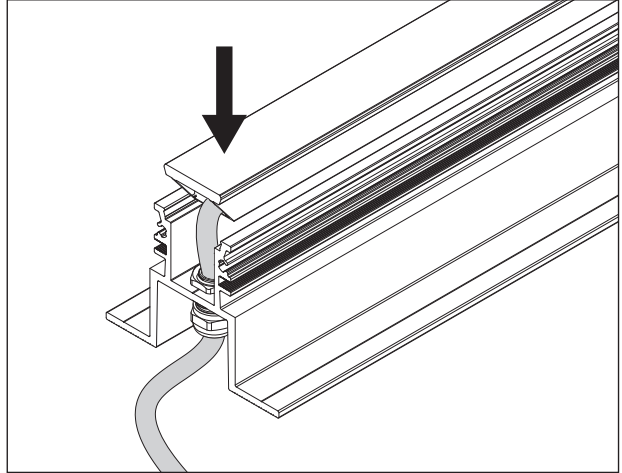


Drill cable hole for cable entry. Hole need a 9mm (0.35") spacing from end with a diameter of Ø12mm (0.35")

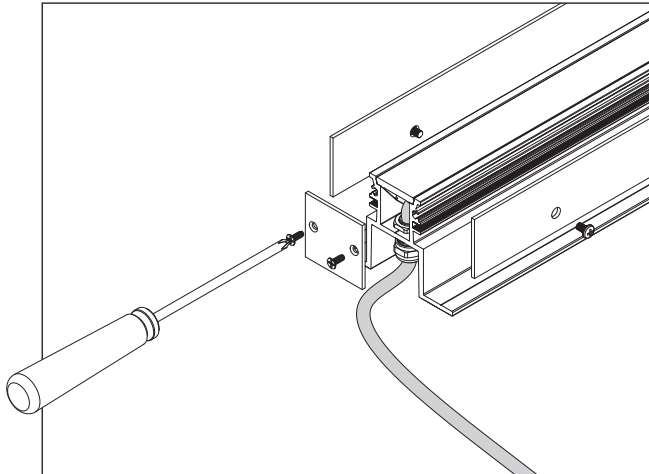
PRO-702 | ALUMINUM PROFILE 702 INSTALL



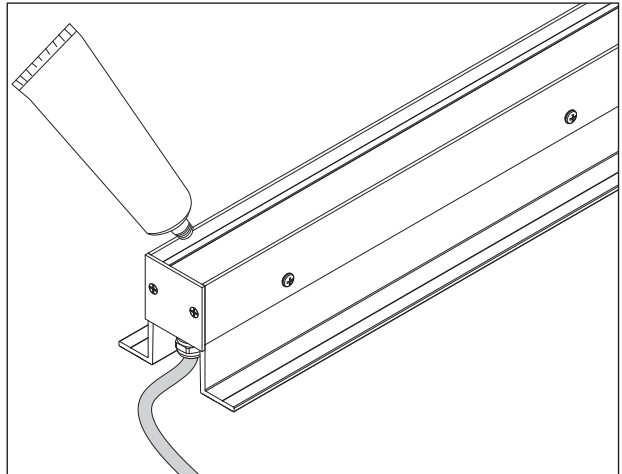
Attach the waterproof cable grommet in cable hole



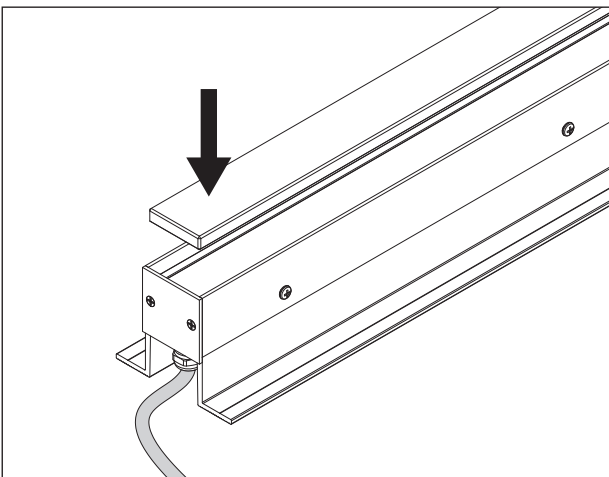
After the silicone glue has fully dried, attach the diffuser into the profile, threading the cable through the grommet



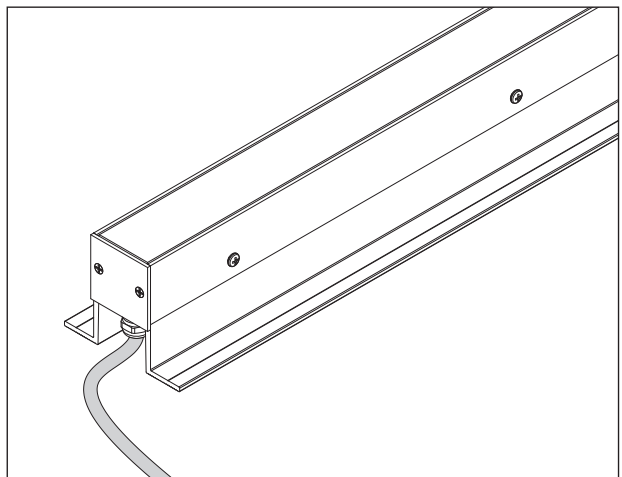
Screw on the profile enclosure panels and end caps



Apply waterproof silicone glue along the edges of the diffuser of the diffuser



Press down the glass diffuser to adhere to the surface



Allow glue to dry completely prior to installation into ground