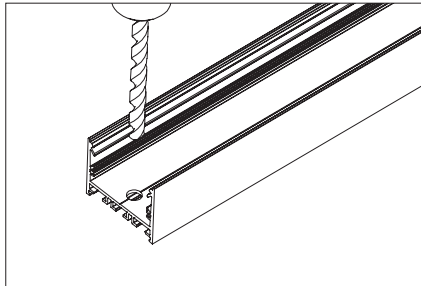
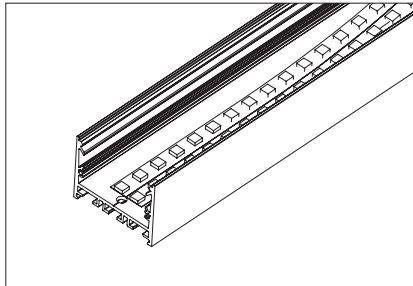


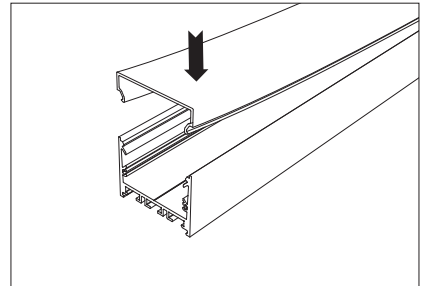
PRO-402 | ALUMINUM PROFILE 402 INSTALL



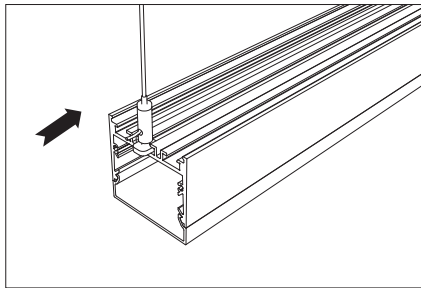
Drill hole in the aluminum profile



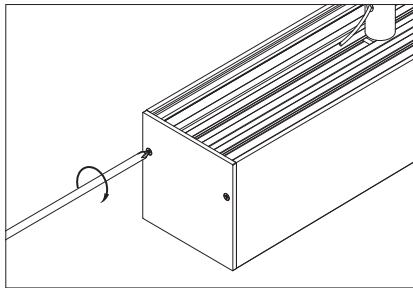
Place led strip on the aluminum profile



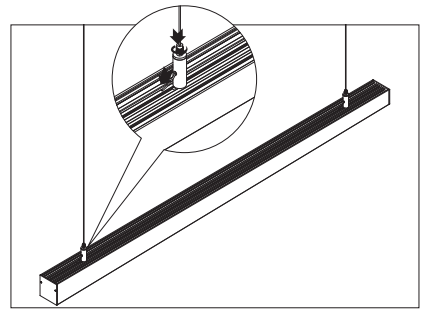
Click/snap on the diffuser from end to end



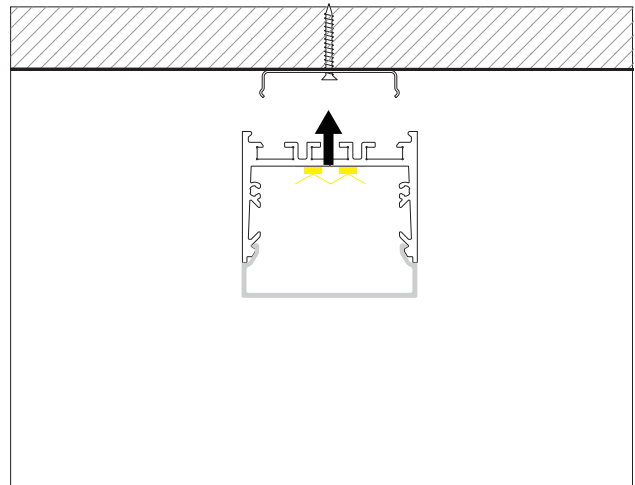
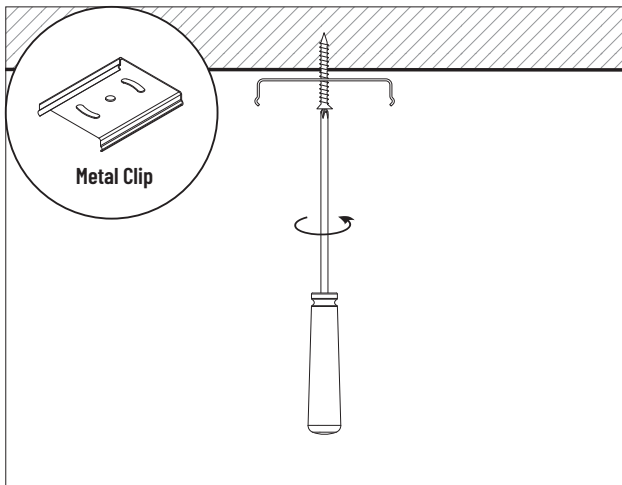
Install the suspension kit



Screws the end caps



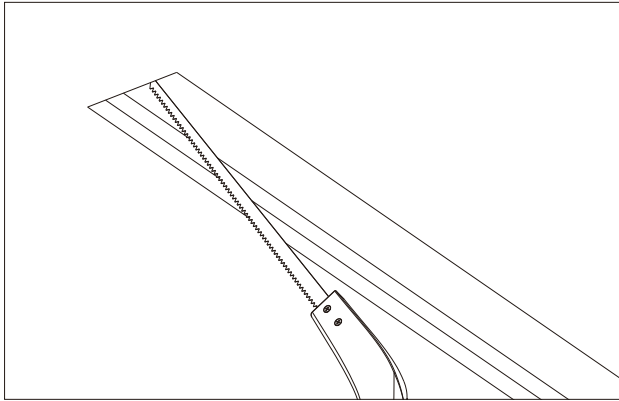
Adjust the cable length to suit



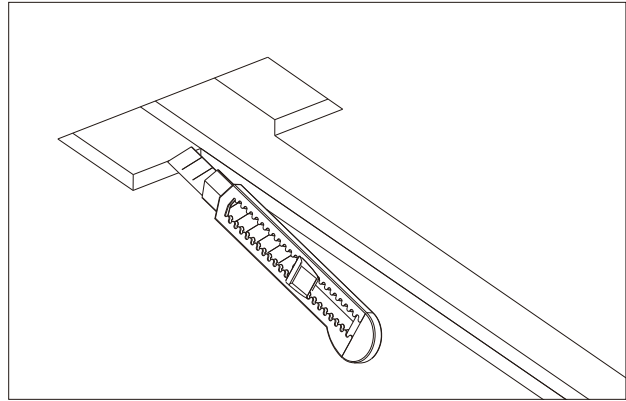
PRO-402 | ALUMINUM PROFILE 402 INSTALL



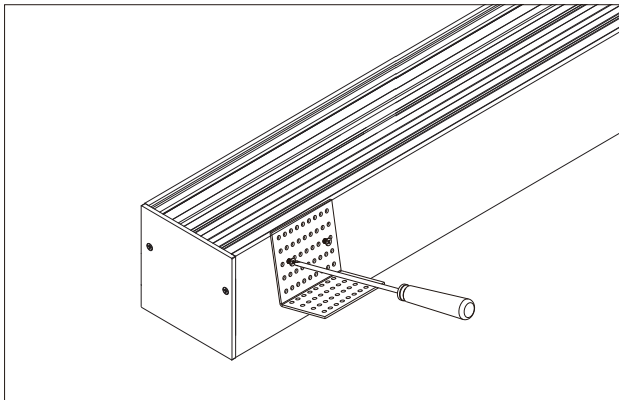
Trimless



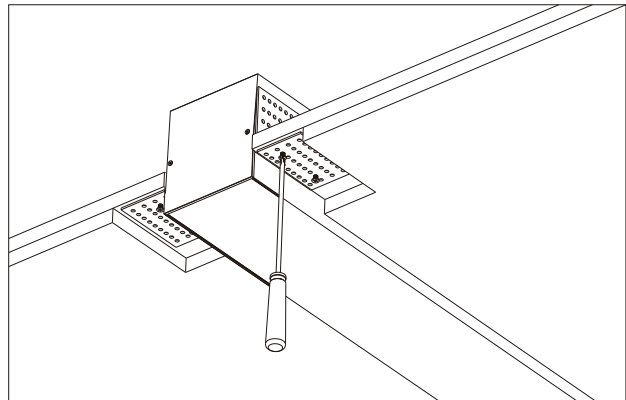
1. Prepare cut-out hole in ceiling



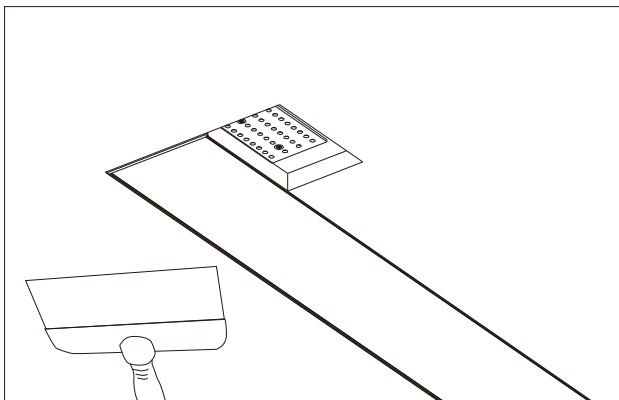
2. Recess a small part of the ceiling plaster board to fit the L bracket



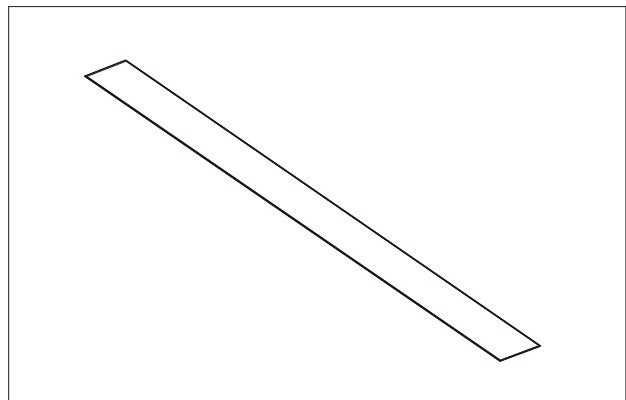
3. Screw on the perforated L brackets to the profile



4. Place the profile into the cut-out hole with the L brackets fitting into the small recess made area. Secure L brackets accordingly.



5. Re-plaster the recess area so it becomes level with the plaster board surface



6. Once install is completed, profile should appear trimless on ceiling surface