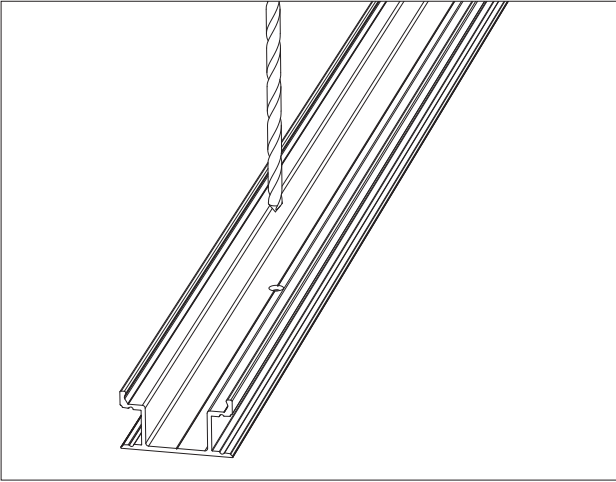


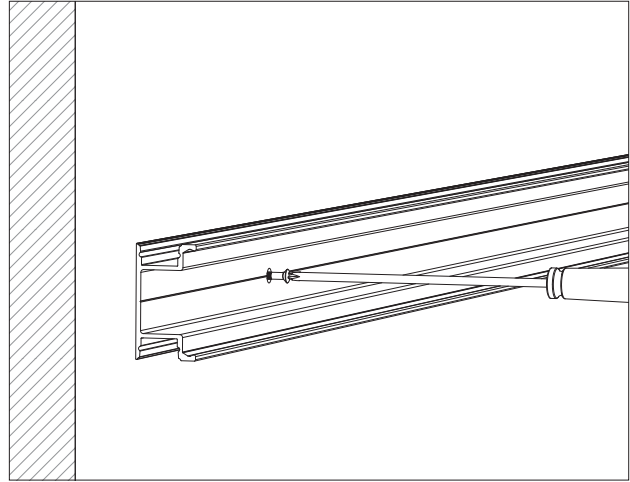
# PRO-106 | ALUMINUM PROFILE 106 INSTALL



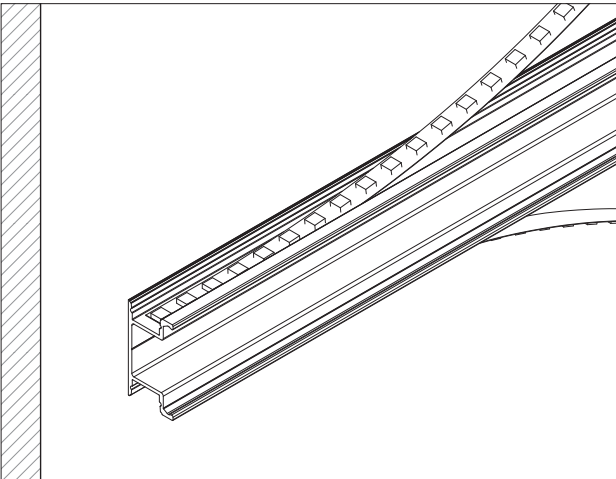
Wall Mounted



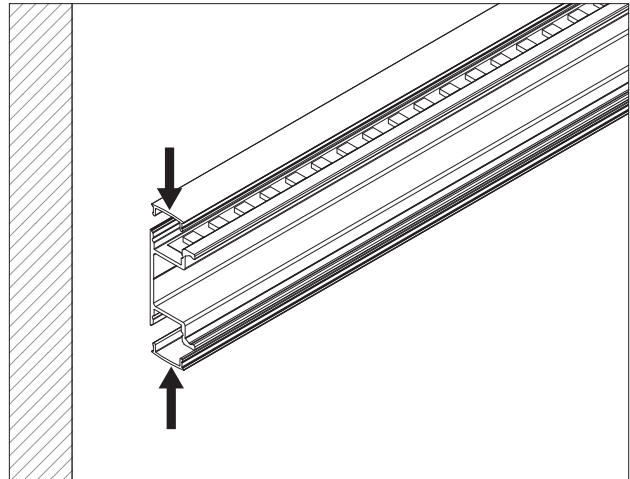
Drill a hole on the aluminum profile



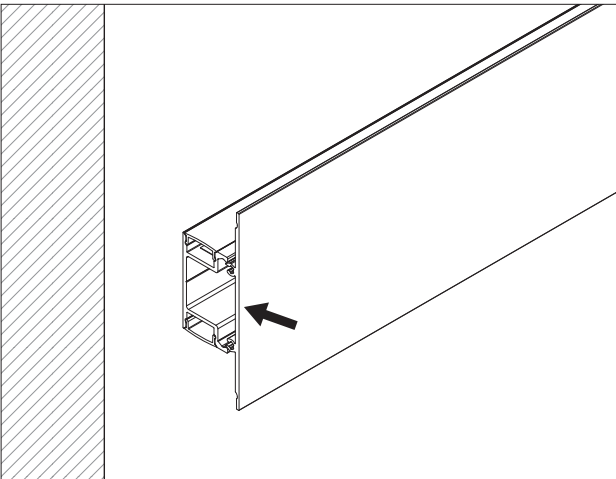
Screw the aluminum profile on the wall



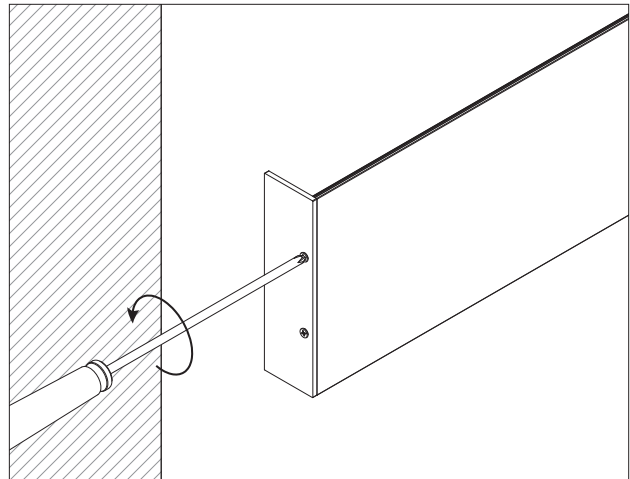
Lay the led strip



Snap on the diffuser from end to end



Snap on aluminum face



Screw the end caps on